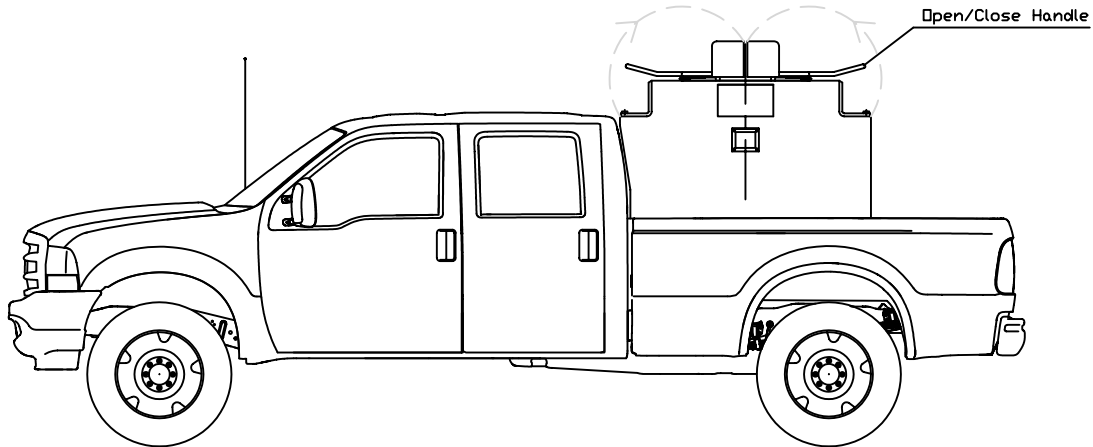
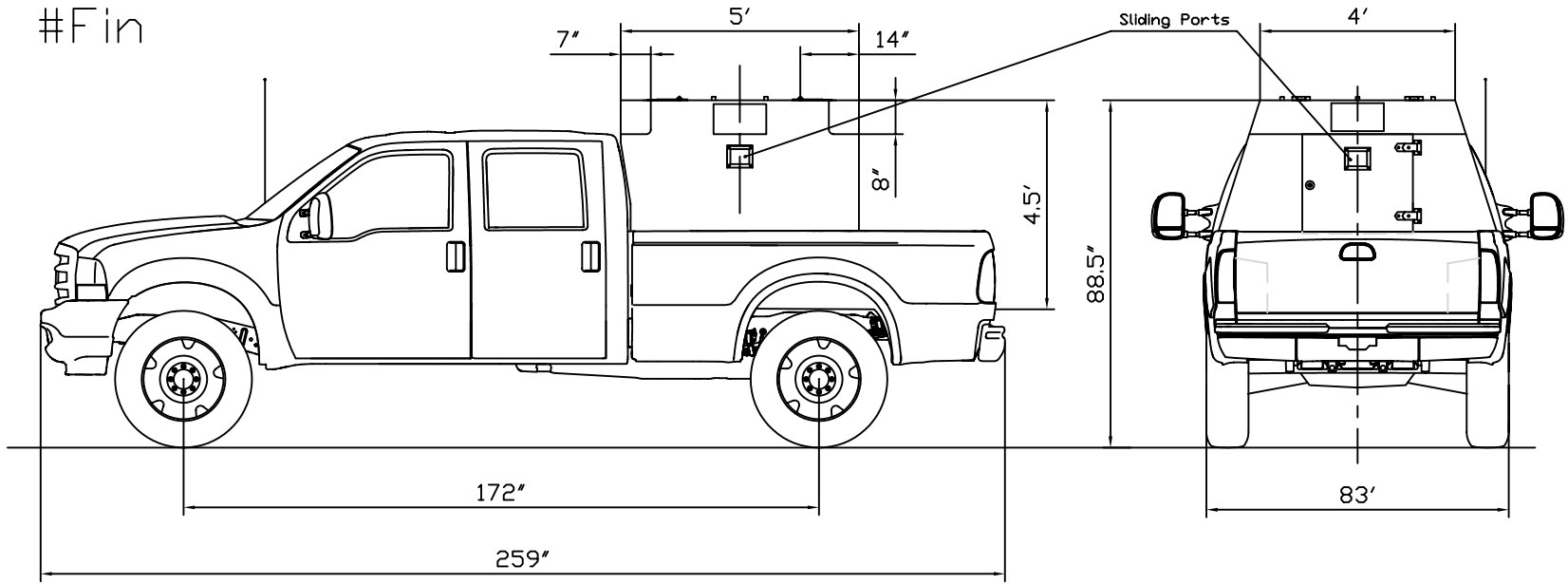


#Fin



180° hatches opening
Open/Close Handle